

**PROCESSOR**  
252 SHEET 4  
**DSP AUDIO**

**RECEPTOR**

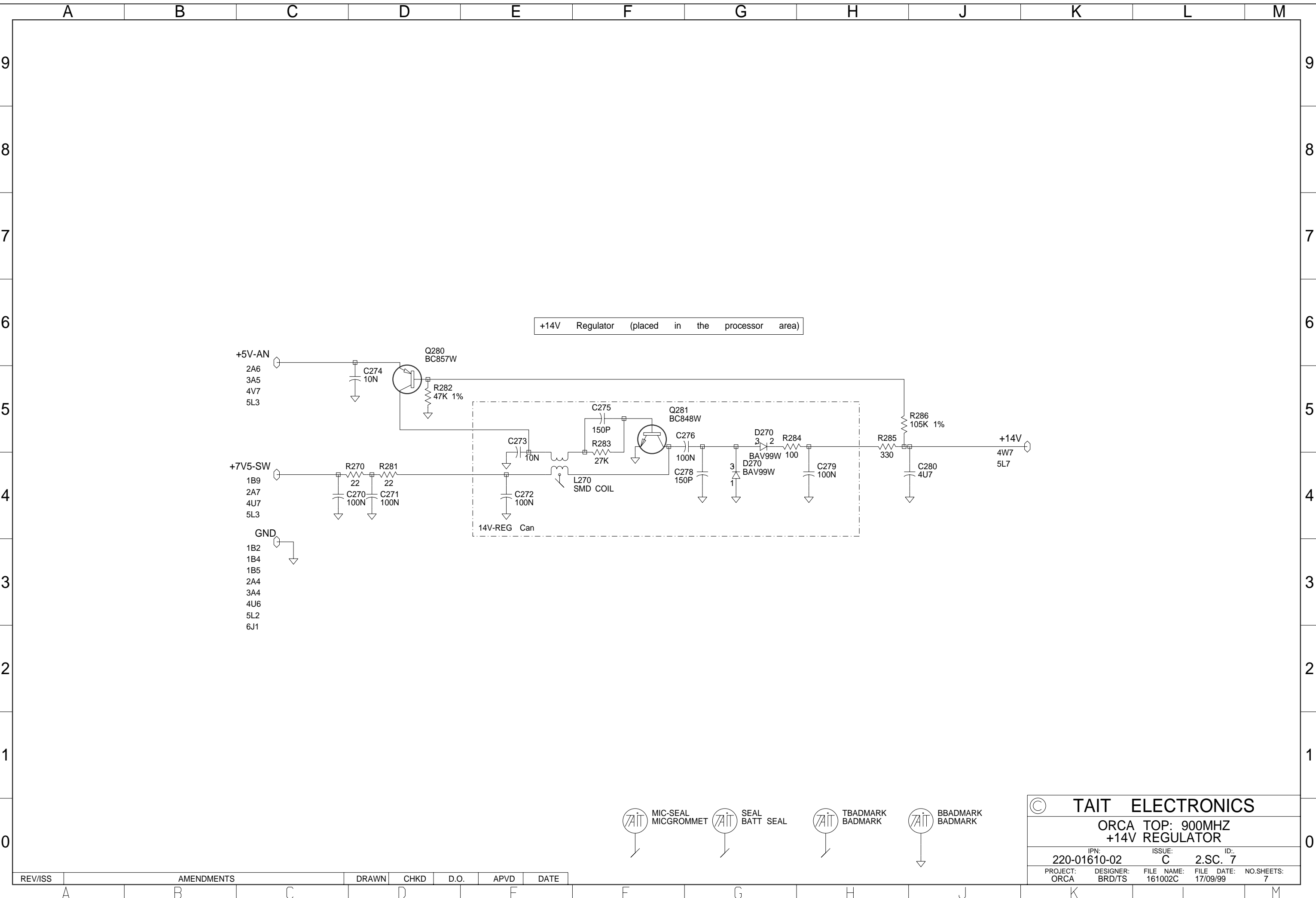
**SYNTH-VCO**

**POWER-AMP**

VCO sheet 6

© TAIT ELECTRONICS	
ORCA TOP: 900MHZ SYSTEM DIAGRAM	
IPN: 220-01610-02	ISSUE: C
DESIGNER: ORCA	FILE NAME: BRD/TS
FILE DATE: 161002C	NO. SHEETS: 7
ID: 2.S.C. 1	DATE: 17/09/99

02C	4 SPRING PINS NOW 356-01077-00	CCN No. 1610-001	TS	17-09-99
02B	REFRESHED SAFC957/860 & 0E18U		BRD	02/07/99
REV/ISS	AMENDMENTS	DRAWN	CHKD	D.O.
		APVD	DATE	



+14V Regulator (placed in the processor area)

- +5V-AN
  - 2A6
  - 3A5
  - 4V7
  - 5L3
- 
- +7V5-SW
  - 1B9
  - 2A7
  - 4U7
  - 5L3
- 
- GND
  - 1B2
  - 1B4
  - 1B5
  - 2A4
  - 3A4
  - 4U6
  - 5L2
  - 6J1

- MIC-SEAL MICGROMMET
- SEAL BATT SEAL
- TBADMARK BADMARK
- BBADMARK BADMARK

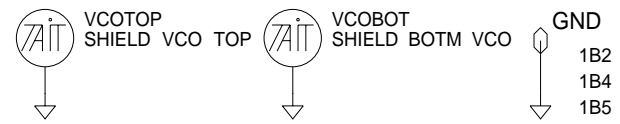
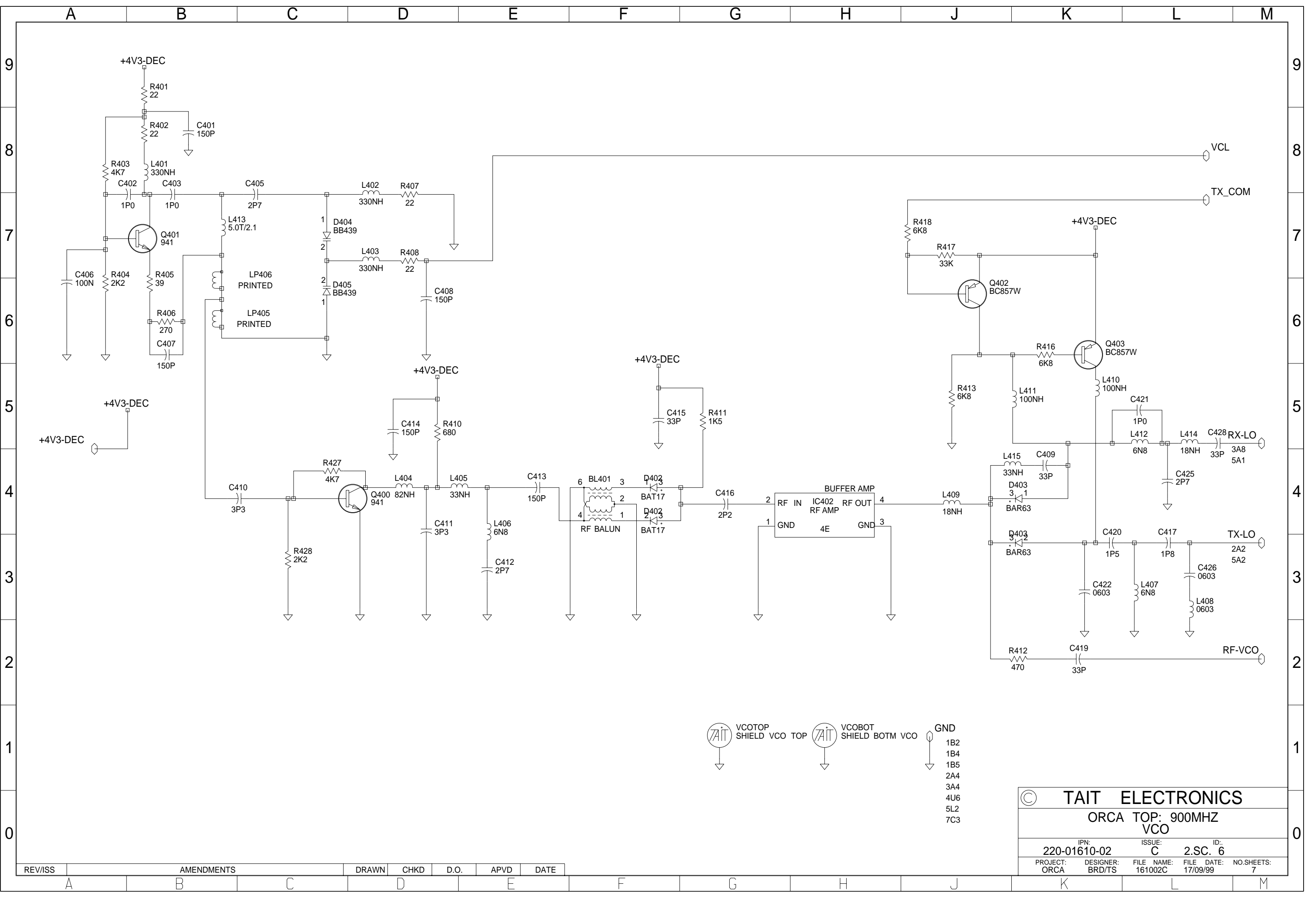
© TAIT ELECTRONICS

ORCA TOP: 900MHZ  
+14V REGULATOR

IPN: 220-01610-02      ISSUE: C      ID: 2.SC. 7

PROJECT: ORCA      DESIGNER: BRD/TS      FILE NAME: 161002C      FILE DATE: 17/09/99      NO.SHEETS: 7

REV/ISS	AMENDMENTS	DRAWN	CHKD	D.O.	APVD	DATE



- 1B2
- 1B4
- 1B5
- 2A4
- 3A4
- 4U6
- 5L2
- 7C3

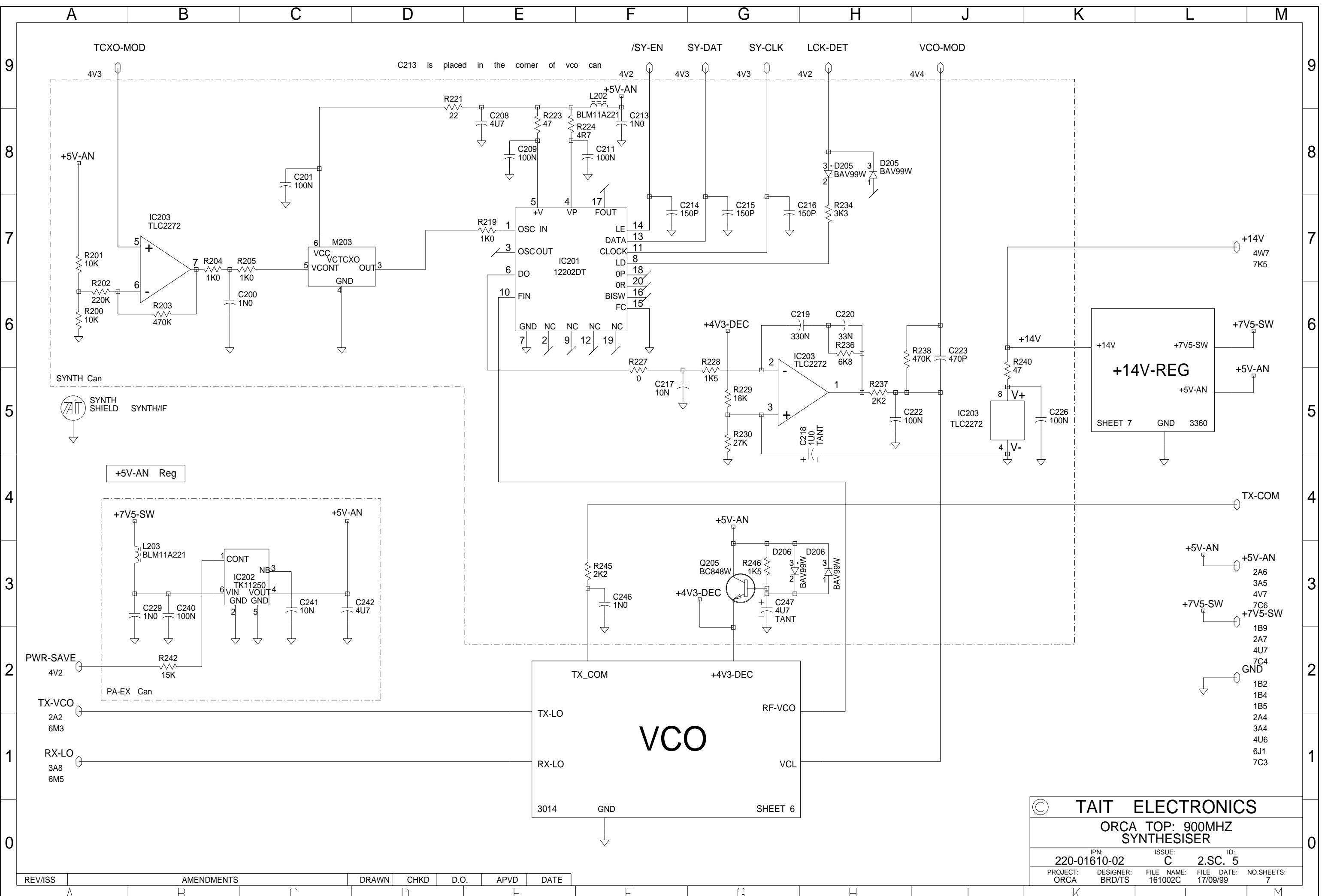
© TAIT ELECTRONICS

ORCA TOP: 900MHZ  
VCO

IPN: 220-01610-02    ISSUE: C    ID: 2.SC. 6

PROJECT: ORCA    DESIGNER: BRD/TS    FILE NAME: 161002C    FILE DATE: 17/09/99    NO.SHEETS: 7

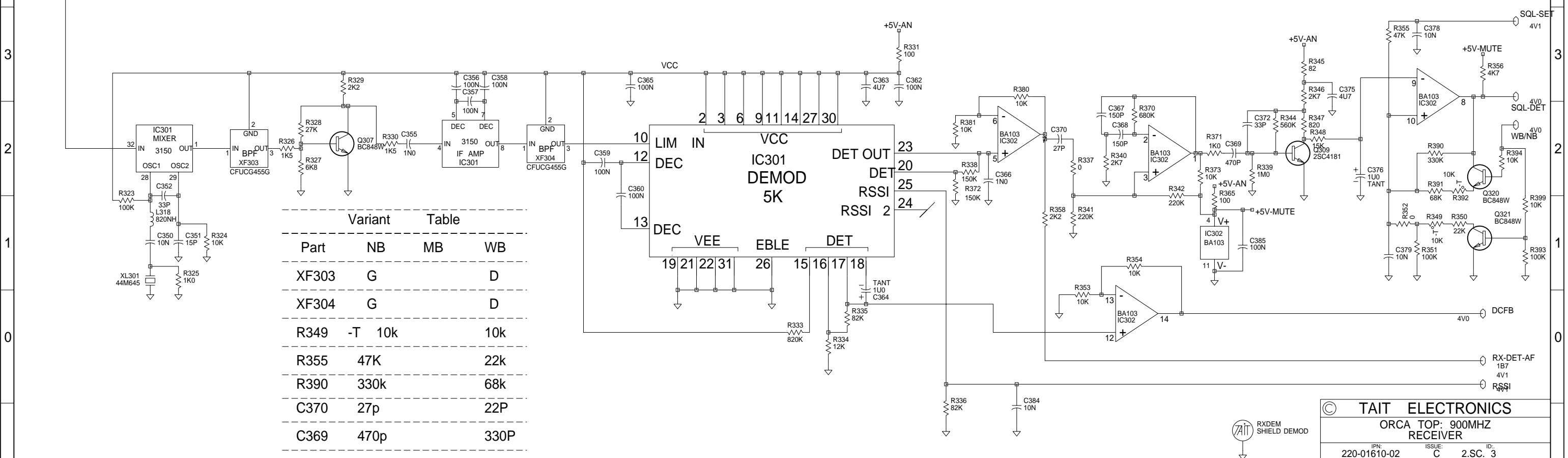
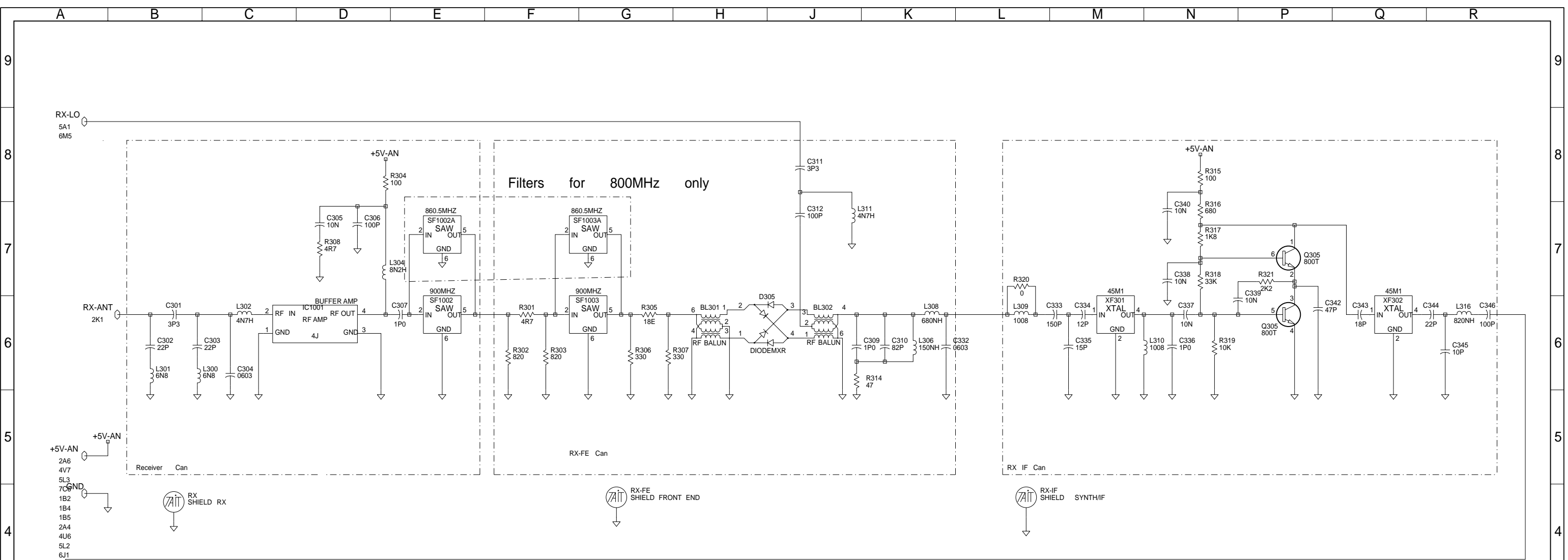
REV/ISS	AMENDMENTS	DRAWN	CHKD	D.O.	APVD	DATE



© TAIT ELECTRONICS  
 ORCA TOP: 900MHZ SYNTHESISER  
 IPN: 220-01610-02 ISSUE: C ID: 2.SC. 5  
 PROJECT: ORCA DESIGNER: BRD/TS FILE NAME: 161002C FILE DATE: 17/09/99 NO.SHEETS: 7

REV/ISS	AMENDMENTS	DRAWN	CHKD	D.O.	APVD	DATE





Variant Table

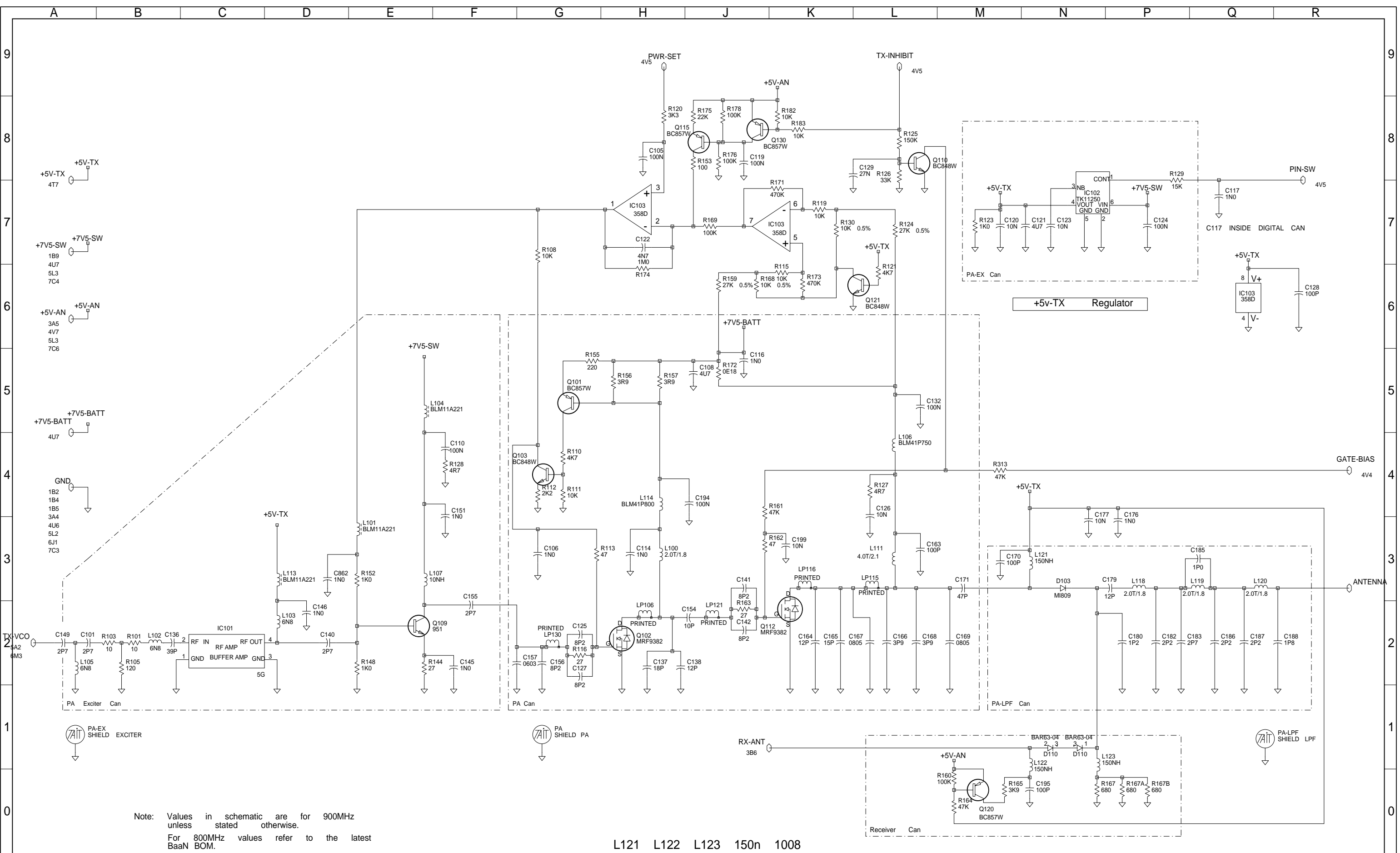
Part	NB	MB	WB
XF303	G		D
XF304	G		D
R349	-T	10k	10k
R355	47K		22k
R390	330k		68k
C370	27p		22P
C369	470p		330P

© TAIT ELECTRONICS  
 ORCA TOP: 900MHZ RECEIVER

IPN: 220-01610-02  
 ISSUE: C  
 ID: 2.S.C. 3

PROJECT: ORCA  
 DESIGNER: BRD/TS  
 FILE NAME: 161002C  
 FILE DATE: 17/09/99  
 NO. SHEETS: 7

REV/ISS	AMENDMENTS	DRAWN	CHKD	D.O.	APVD	DATE
A						



Note: Values in schematic are for 900MHz unless stated otherwise.  
 For 800MHz values refer to the latest BaaN BOM.

L121 L122 L123 150n 1008

02B	REFRESHED SAFC947/860 & OE18U.	BRD			07-09-99
REV/ISS	AMENDMENTS	DRAWN	CHKD	D.O.	APVD DATE

© TAIT ELECTRONICS			
ORCA TOP: 900MHZ POWER AMPLIFIER			
IPN: 220-01610-02	ISSUE: C	ID: 2.S.C. 2	
PROJECT: ORCA	DESIGNER: BRD/TS	FILE NAME: 161002C	FILE DATE: 17/09/99
			NO.SHEETS: 7